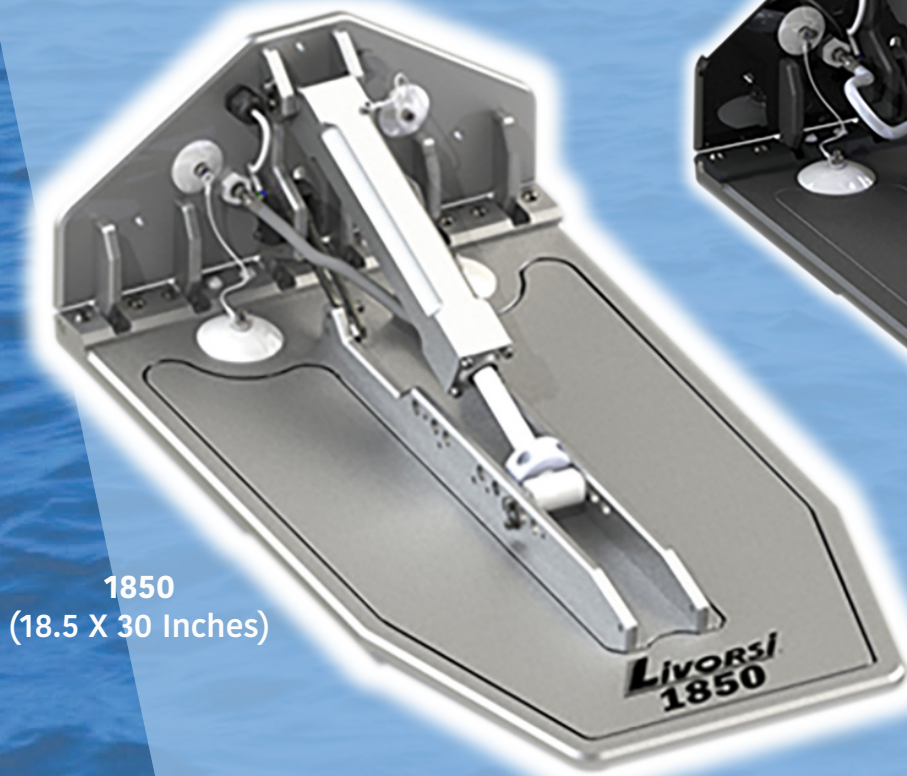




**NEW!**

# MEGA Trim Tabs



**1850**  
(18.5 X 30 Inches)



**1650**  
(16.5 X 30 Inches)

Compatible with NMEA 2000® compliant systems or Mercury VesselView®

Electronic IP68 sensor plugs directly to Livorsi's LED Position Indicator



- Help boats plane out quickly
- Significantly limits bow rise
- 100% made in the USA
- Made with billet aluminum, anodized & painted construction
- The built-in electronic position sensor is compatible with most N2K displays & Livorsi LED Indicator
- **Made for Performance Boats, Center Consoles, Heavy Cruisers & Workboats, Military and Government Boats**

# 1100 Series

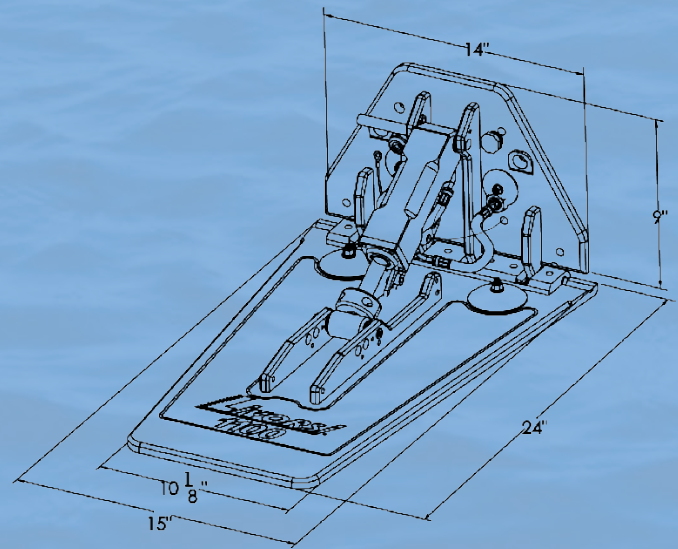
## Features

- Available in 11 powder coat colors & with private labeling
- Available with 4" or 6" LED lights in **white, blue, red, or green.**
- For use on boats 20 – 60 feet
- Tabs are CNC machined from billet aluminum, no casting
- Tabs are Mil-Spec hard coat anodized to prevent corrosion
- Five anodes for complete saltwater protection
- All hinge pins and hardware are stainless steel
- Adjust transom angles without the use of special tools
- Bolt patterns include Mercury or a smaller Livorsi 10" or 12" bolt pattern
- Hydraulic cylinders designed for 1500 PSI working pressure with dual seals
- Plug and play LED electronic position indicators



**1100  
Trim Tab**

**1150  
(15 X 24 Inches)**



## Tabs for Catamarans & Large Heavy Boats



### Part Numbers

|          |           |               |
|----------|-----------|---------------|
| TTS1650K | 16.5 X 30 | 1650 Trim Kit |
| TTS1850K | 18.5 X 30 | 1850 Trim Kit |
| TTS1100K | 15 X 24   | 1100 Trim Kit |

### Trim Tab Kit Includes:

1 Parker Pump, 1 Trim Tab & Mounting Hardware

