

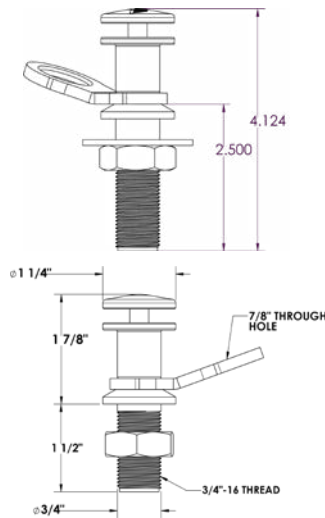
NEW! QUICK PIN CLEATS

Features:(Long & Short Base Versions)

- Install your fenders in one quick click
- Electropolished for corrosion resistance
- Type 316L stainless steel
- Soft-tip, won't scratch the gel coat
- Tested to 1,500+ lbs pull out force
- Made in the USA
- Private Labeling Available



PRIVATE LABELING
AVAILABLE



Complete Assembly

Part Number	Type	Overall Length
QRFPA	Short Shaft	3 3/8"
QRFPA225	Long Shaft	4 1/4"

Base Only

Part Number	Type	Dimensions
QRFPBH	Base Only	1 1/2"
QRFPBH225	Base Only	2 1/4"

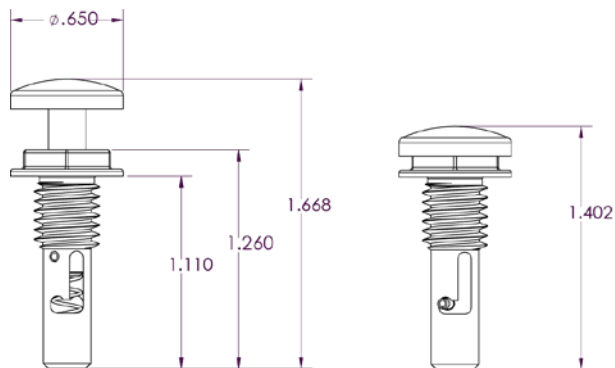
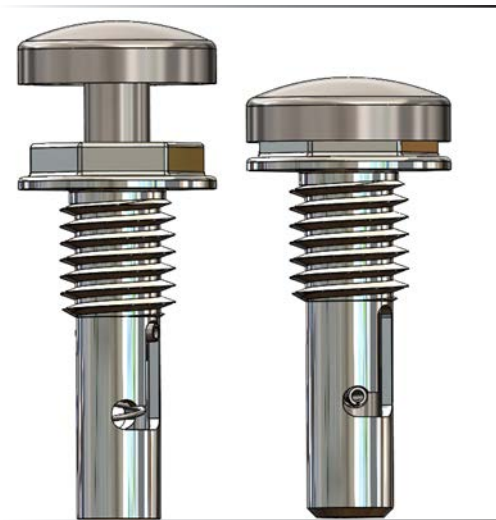
Top Only

Part Number	Type	Dimensions
QRFPTPSA	Top Only	

Canvas Bungee Pop-Up Cleats

FEATURES:

- Great for use with bungee style boat covers
- Strong and durable electropolished 316 SS construction
- Low profile smooth finish prevents clothing snags or scratches when brushed against
- Push in and twist left to extend the cleat. Whereas, pushing in and twisting right returns the cleat in its recessed and secured position
- Threads directly in Fiberglass or wood
- Many other uses
- Made in the USA



Cleat	
Part Number	Type
PUBC	Pop-Up Bungee Cleat

More Products



SMOOTH SOFT GRIP WHEELS

Color options

Platinum, White, Black, Red and Blue



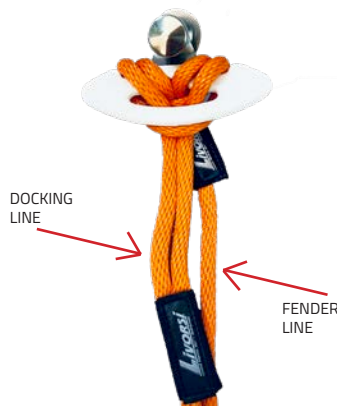
*SHOWN WITH UPGRADED BILLET CENTER CAP & SPEED KNOB
PART # SWLOGOPLT-ANGLED

LED INDICATOR

- Electronic Indicator reads precise position of Tabs, Drives, Jackplat, Fuel, Rudder & more
- Compatible with NMEA2000 Screens & Mercury Vessel View
- 1-4 Slots with the ability to set sweet spot
- Acts as a gateway to any N2K Device



**NEW DESIGN
COMING SOON!**



QUICK PIN DOCK LINE & FENDER CLEATS

- Combination Docking & Fender Cleat all in one

Dock & Fender Lines

Features:

- Made of water resistant polypropylene
- Extremely flexible & resists knotting
- 8 colors to choose from:



Description		Part Number
Fender Lines 1/2" thick	7 feet long	FL127 + color
Dock Lines		
1/2" thick	15 feet long	DL1215 + color
1/2" thick	20 feet long	DL1220 + color
5/8" thick	25 feet long	DL5825 + color
5/8" thick	30 feet long	DL5830 + color

Beverage Holders (LED & Regular Available)



These beverage holders use LED technology for a vibrant glow that doesn't generate heat therefore keeping your drinks cool.

A stainless steel rim tops these beverage holders, making them look great even in the day time. The removable rubber insert keeps your cans, bottles and cozies secure and insulated.



SS Beverage Holder