

# NEW!

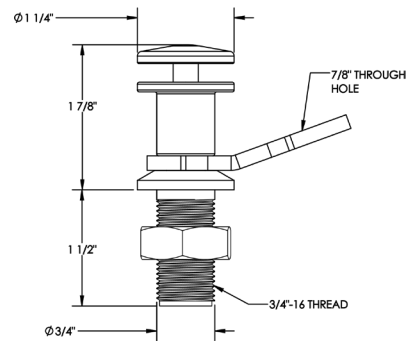
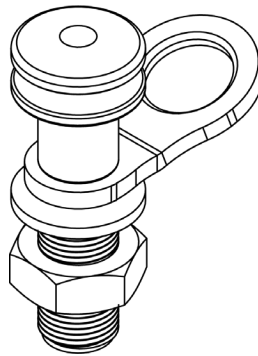
# QUICK PIN CLEATS

## Features:

- Install your fenders in one quick click
- Electropolished for corrosion resistance
- Type 316L stainless steel
- Soft-tip, won't scratch the gel coat
- Tested to 1,500+ lbs pull out force
- Made in the USA



**PART NUMBER: #QRFPA**



# Dock & Fender Lines

## Features:

- Made of water resistant polypropylene
- Extremely flexible & resists knotting
- 8 colors to choose from:



Description	Part Number
<b>Fender Lines</b> 1/2 thick, 7 feet long	FL127 + color
<b>Dock Lines</b>	
1/2" thick, 15 feet long	DL1215 + color
1/2" thick, 20 feet long	DL1220 + color
5/8" thick, 25 feet long	DL5825 + color
5/8" thick, 30 feet long	DL5830 + color

## Beverage Holders (LED & Regular Available)



These beverage holders use LED technology for a vibrant glow that doesn't generate heat therefore keeping your drinks cool.

A stainless steel rim tops these beverage holders, making them look great even in the day time. The removable rubber insert keeps your cans, bottles and cozies secure and insulated.



SS Beverage Holder

Description	Cutout	Overall	Part Number
<b>Stainless Steel Finish</b>			
small stainless	3 5/8"	4 1/8"	SBHS
large stainless	3 3/4"	4 1/2"	SBHL
<b>Powder Coat Finish</b>			
small	3 5/8"	4 1/8"	SBHS + color
large	3 3/4"	4 1/2"	SBHL + color
<b>Drain Fittings for</b>			
3/8" straight push on			SBHFS3/8
3/8" 90 degrees push on			SBHFS903/8
drain cap			SBHC