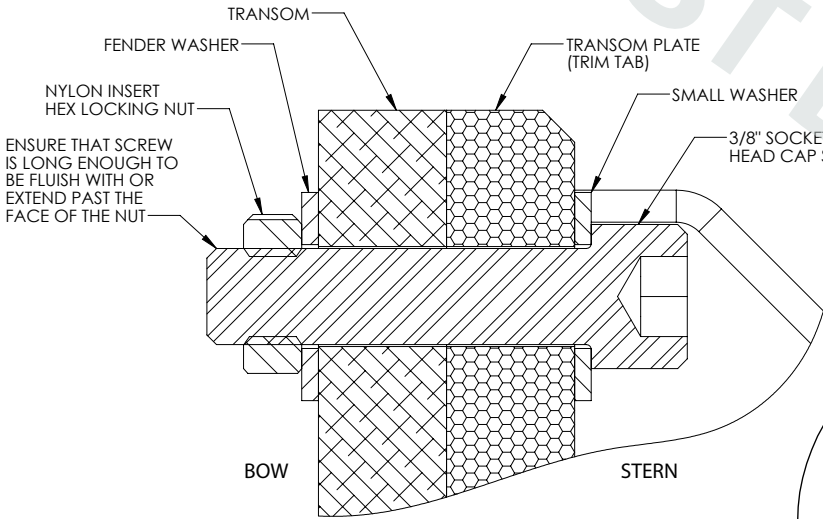


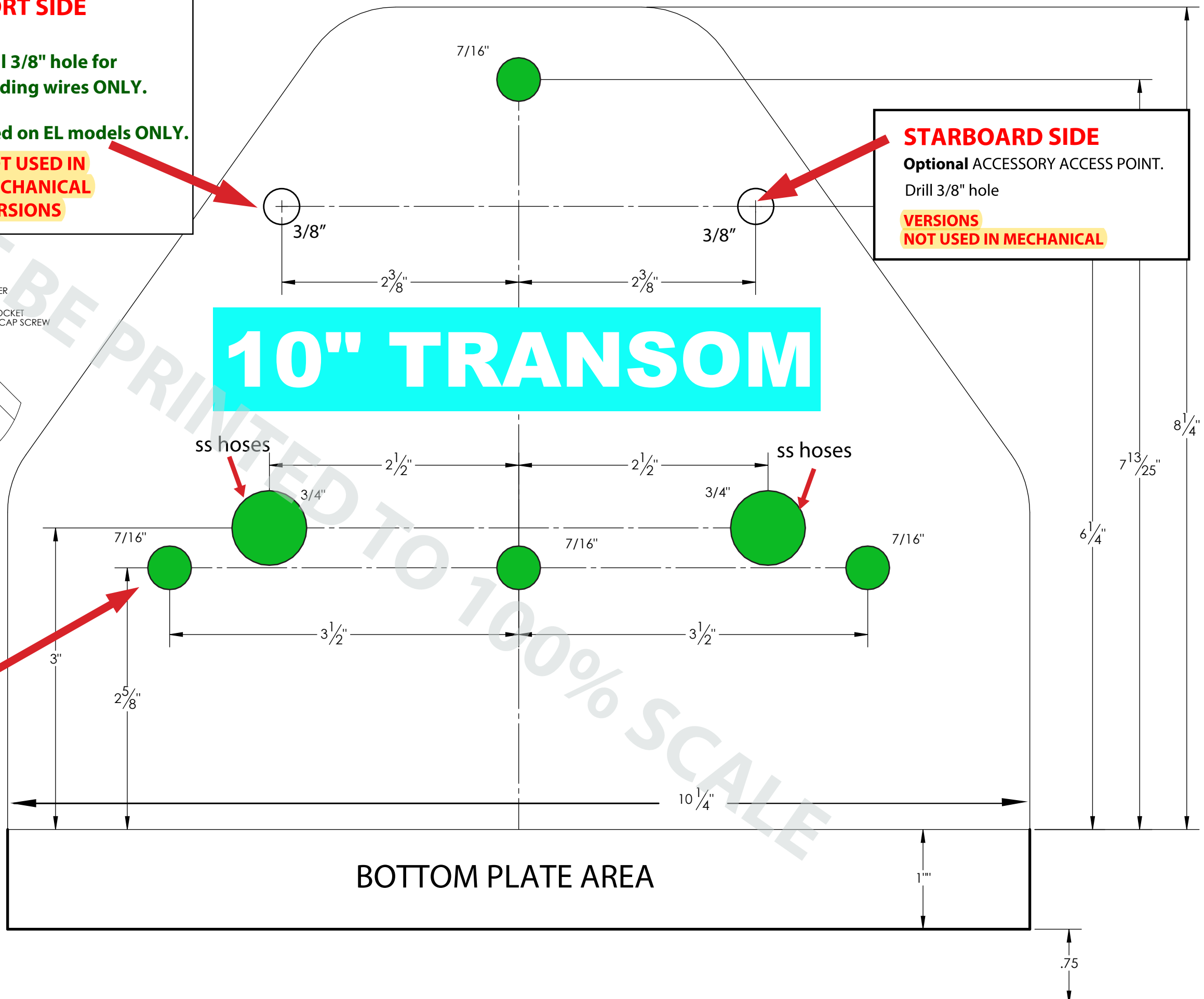
TYPICAL FASTENER
INSTALLATION



PORT SIDE
Drill 3/8" hole for sending wires ONLY.
Used on EL models ONLY.
NOT USED IN MECHANICAL VERSIONS

STARBOARD SIDE
Optional ACCESSORY ACCESS POINT.
Drill 3/8" hole
VERSIONS NOT USED IN MECHANICAL

10" TRANSOM



Note: Print this page and measure the line above. It is 2 inches LONG. If it measure anything other than 2 inches, the template is not scaled properly.

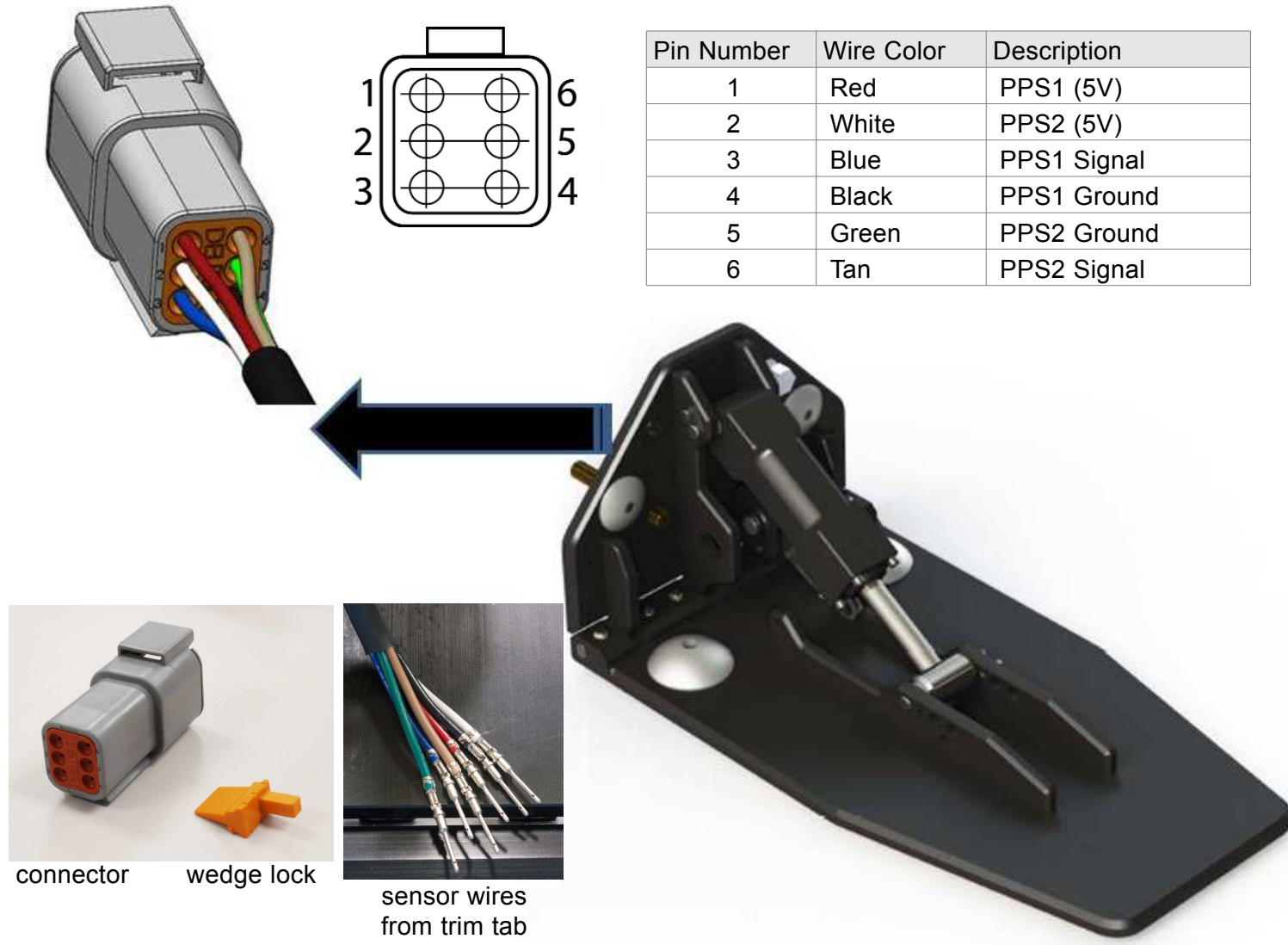
FAILURE TO TEST MEASURE THE LINE COULD RESULT IN MISDRILLED HOLES.

ALWAYS MEASURE TEMPLATE FIRST.

LINE UP WITH THE BOTTOM OF THE BOAT FOR RECOMMENDED SETTING OF 3/4" FROM LOWER TRIM PLATE TO BOAT BOTTOM

TTKEL Models 6 Pin Deutsch Wiring

Model Numbers: TTK1150EL, TTK1050EL, TTK1025EL (small transom), TTK975EL, TTK950EL, TTK850EL, TTK750EL



The diagram illustrates the wiring for a 6-pin Deutsch connector. On the left, a perspective view shows the connector with six wires (red, white, blue, black, green, tan) inserted. In the center, a pinout diagram shows a 2x3 grid of pins numbered 1 through 6. To the right, a table provides the color and description for each pin. Below the table, a large black arrow points from a trim tab sensor assembly towards the connector. At the bottom left, three inset images show: 1) a grey connector, 2) an orange wedge lock, and 3) sensor wires from a trim tab.

Pin Number	Wire Color	Description
1	Red	PPS1 (5V)
2	White	PPS2 (5V)
3	Blue	PPS1 Signal
4	Black	PPS1 Ground
5	Green	PPS2 Ground
6	Tan	PPS2 Signal

connector wedge lock sensor wires from trim tab